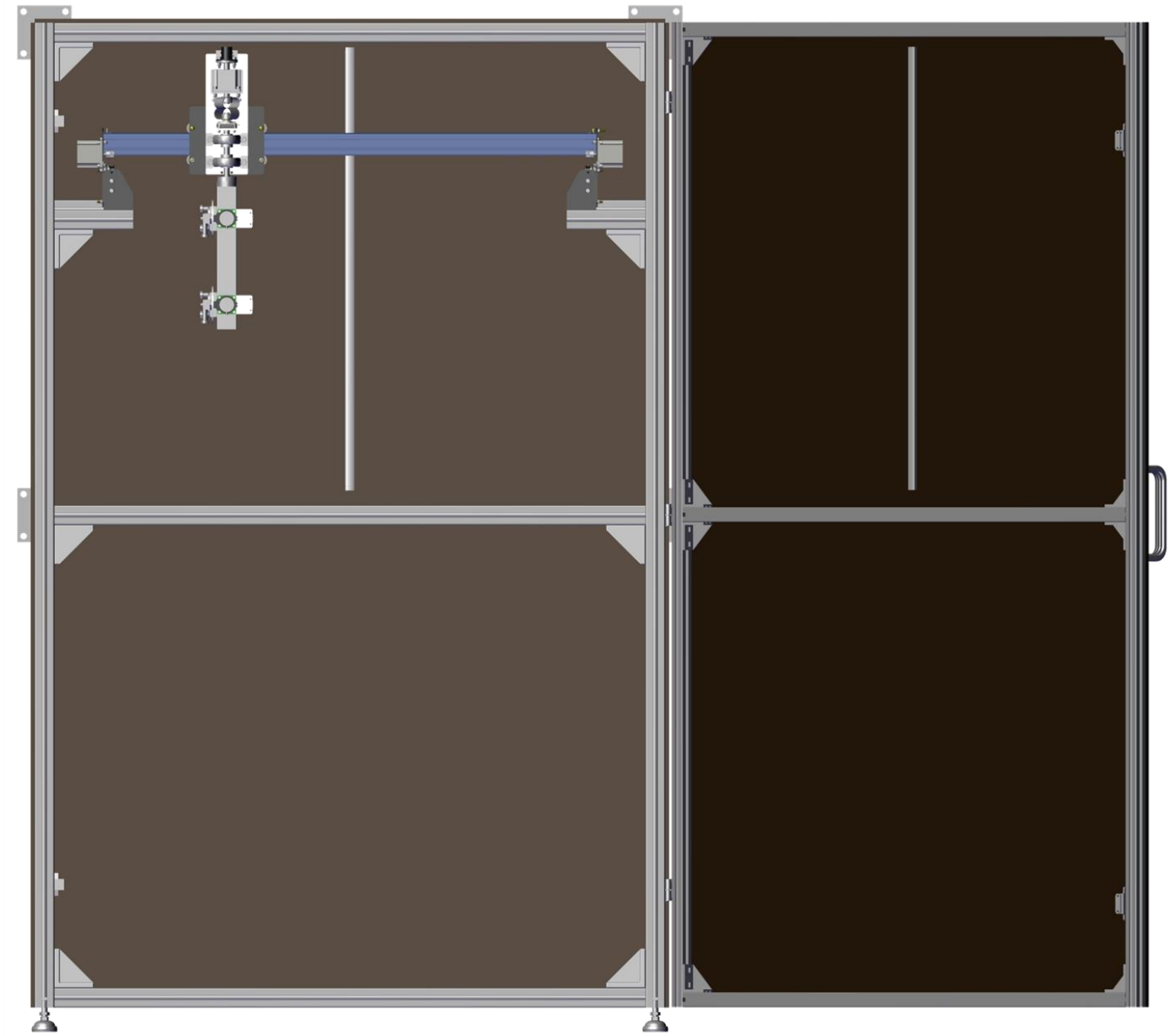
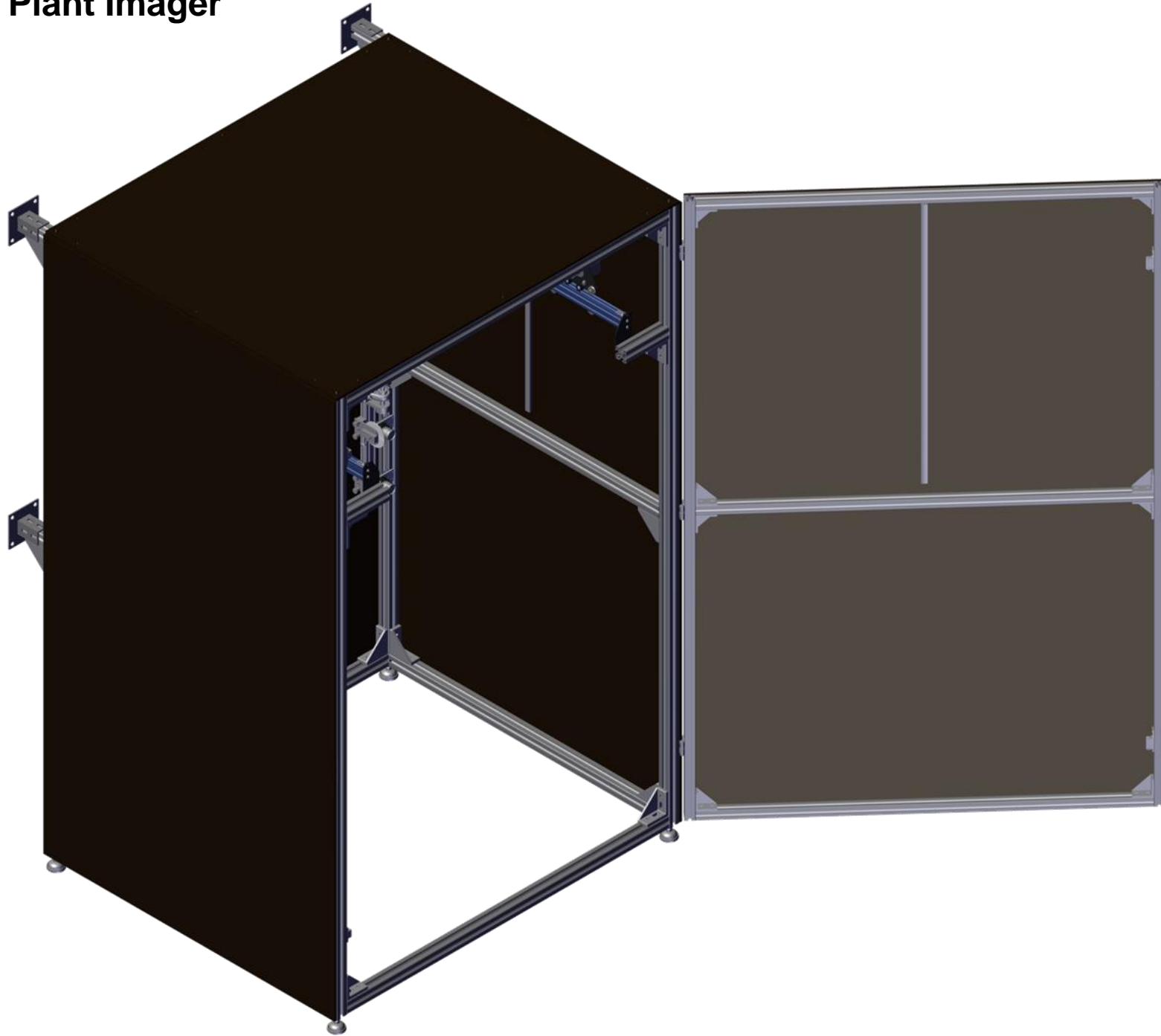


ROME

ROBOTICS FOR MICROFARMS

BOM & Assembly Instructions

Plant Imager

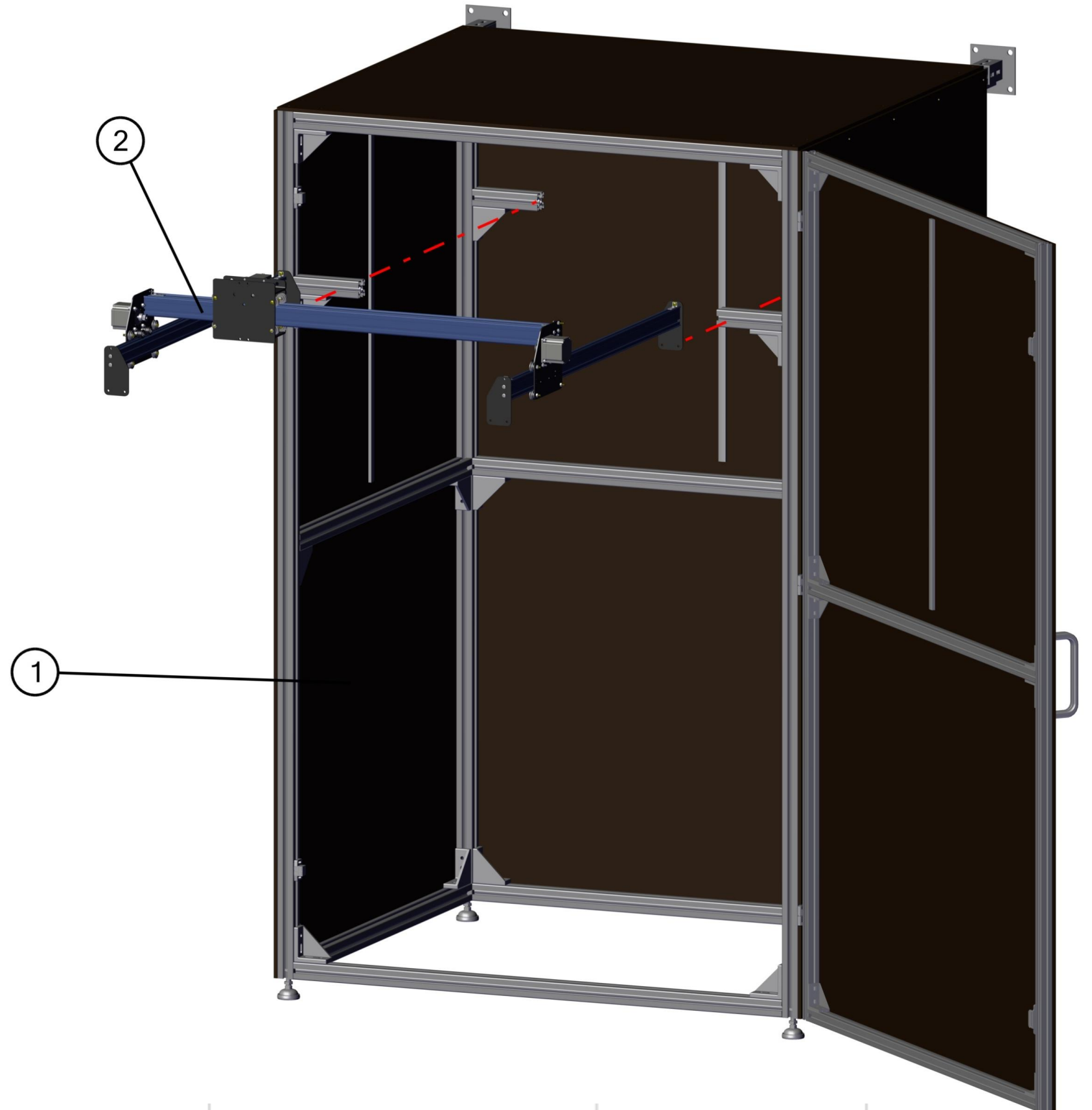


BOM

ID	Name	Qty	Off the shelf / Custom	Manufactureur
1	Plant -imager Box	1	Custom	
2	X-carve	1	Off the shelf	Inventables
3	Arm	1	Custom	
4	Manual Gimball	1 or 2	Custom	
5	Plant table	1	Off the shelf	RockJam

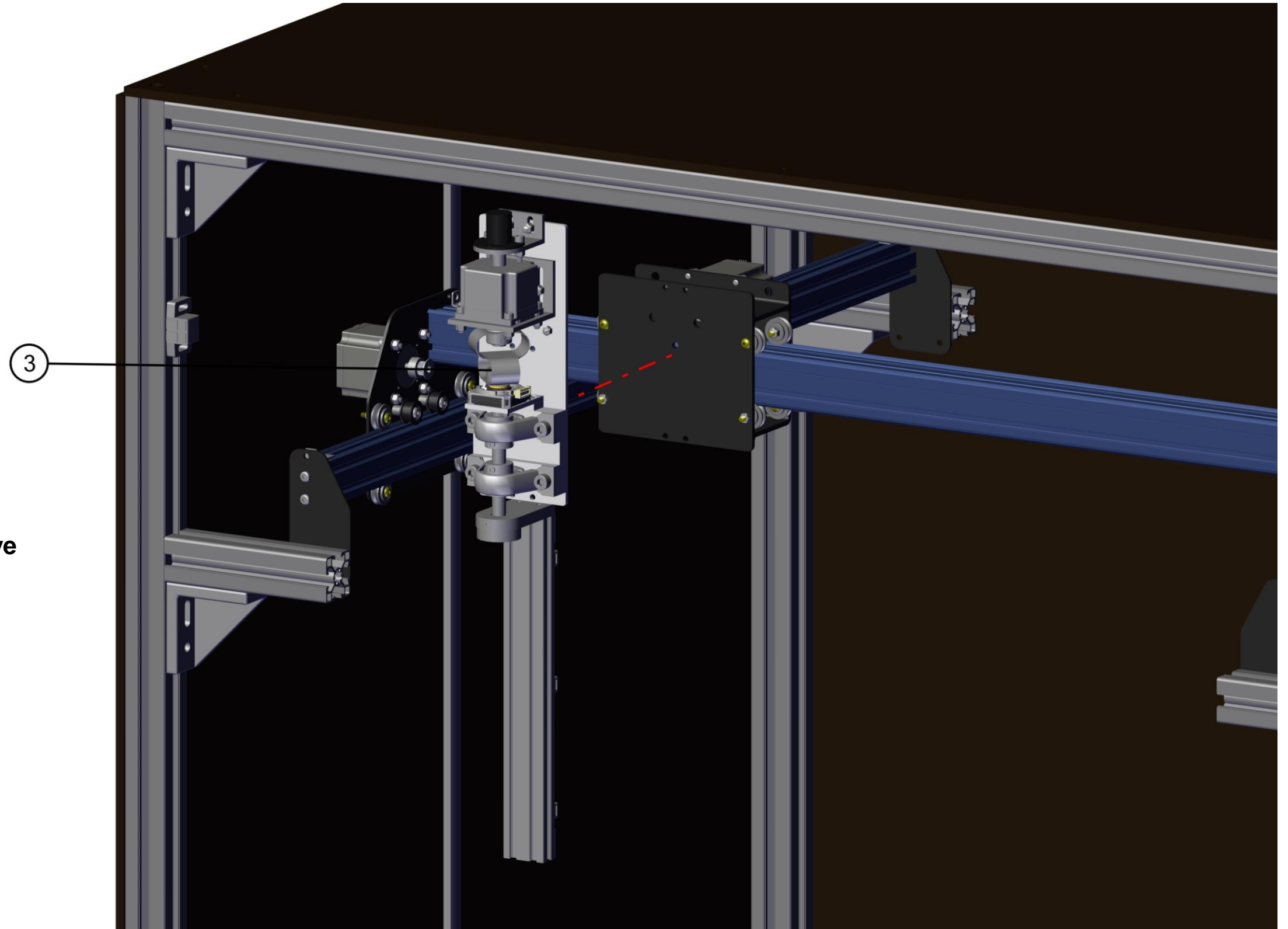
1

Attach the X-carve to the small profiles inside the Plant-imager Box.



ID	Name	Qty	Off the shelf / Custom	Manufactureur
1	Plant -imager Box	1	Custom	
2	X-carve	1	Off the shelf	Inventables

2



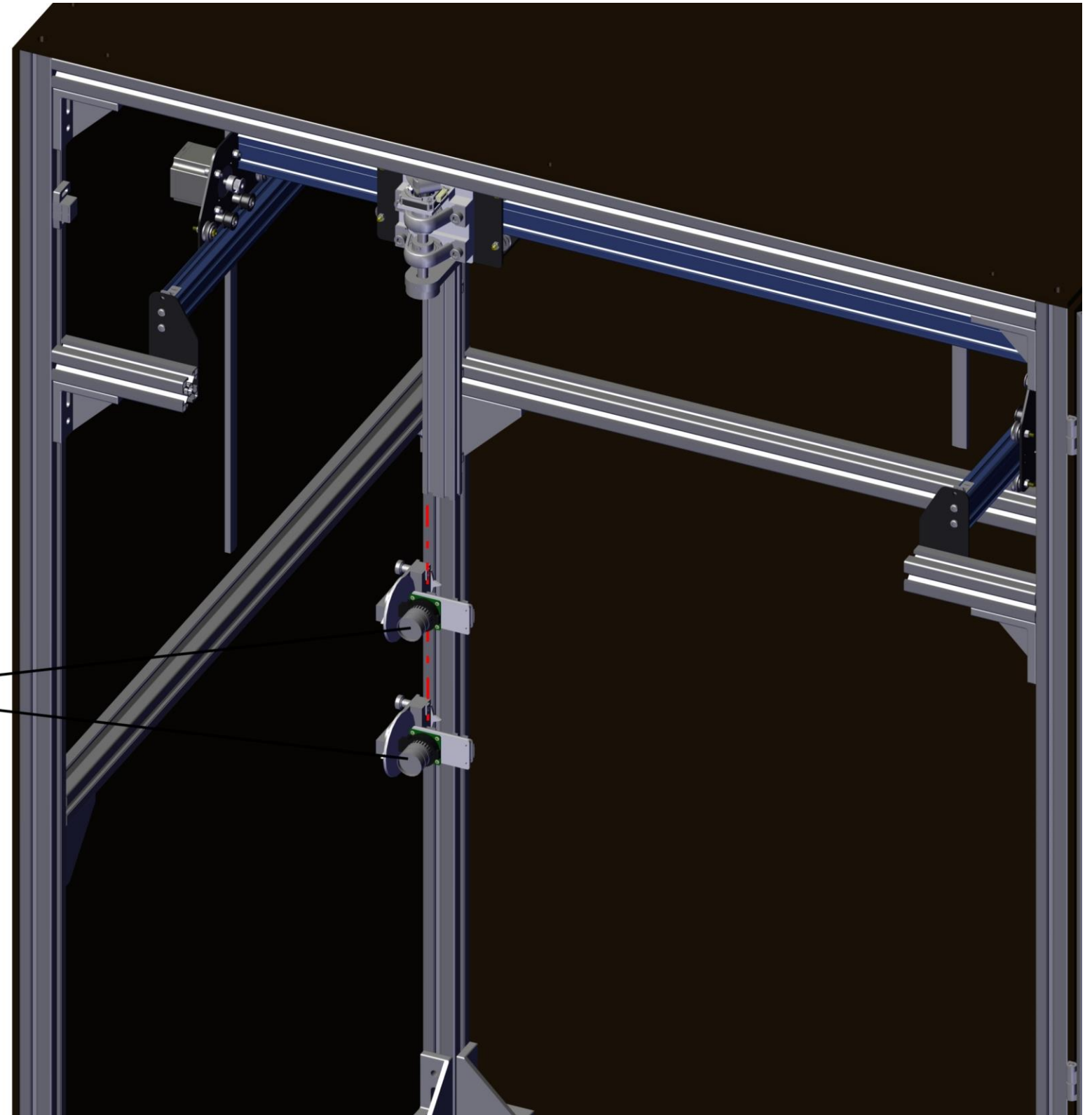
Attach the Arm to the carriage of the X-carve

ID	Name	Qty	Off the shelf / Custom	Manufactureur
3	Arm	1	Custom	

3

Slide one or two Manual Gimball into the Arm profile

4



ID	Name	Qty	Off the shelf / Custom	Manufactureur
4	Manual Gimball	1 or 2	Custom	